

# Technical data sheet

## Product features



### Cooking range gas solid top with gas oven

<b>Model</b>	<b>SAP Code</b>	00020642
--------------	-----------------	----------



- Device type: Gas unit
- Power consumption of the zone 1 [kW]: 9,2
- Ignition: Piezo + Eternal Flame
- Type of internal part of the appliance 1 (eg oven): Gas
- Type of internal part of the appliance 2 (eg oven): Static
- Material: AISI 304 top plate and cladding

<b>SAP Code</b>	00020642	<b>Type of gas</b>	Natural gas, propane butane
<b>Net Width [mm]</b>	800	<b>Number of zones</b>	1
<b>Net Depth [mm]</b>	730	<b>Power consumption of the zone 1 [kW]</b>	9,2
<b>Net Height [mm]</b>	900	<b>Type of internal part of the appliance 1 (eg oven)</b>	Gas
<b>Net Weight [kg]</b>	143.00	<b>Type of internal part of the appliance 2 (eg oven)</b>	Static
<b>Power gas [kW]</b>	15.200	<b>Solid top dimensions [mm x mm]</b>	800 x 580

# Technical data sheet

Technical drawing

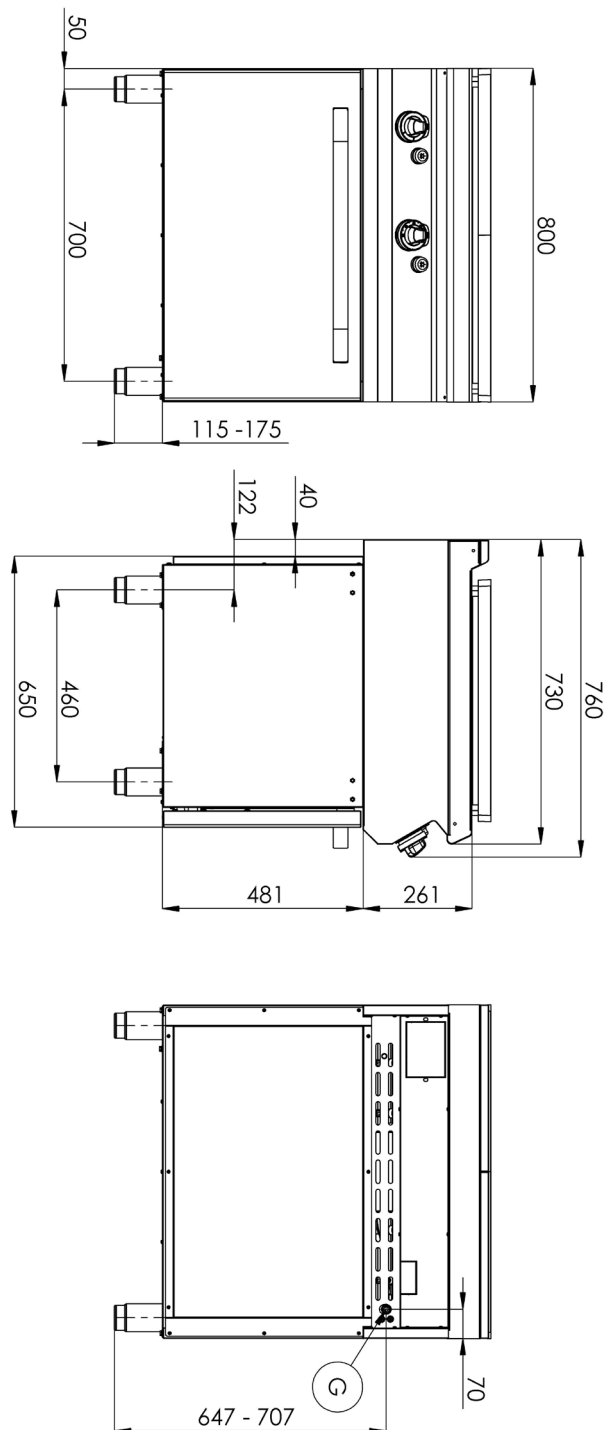


Cooking range gas solid top with gas oven

Model

SAP Code

00020642



# Technical data sheet

Technical parameters



## Cooking range gas solid top with gas oven

**Model**

**SAP Code**

00020642

**1. SAP Code:**

00020642

**2. Net Width [mm]:**

800

**3. Net Depth [mm]:**

730

**4. Net Height [mm]:**

900

**5. Net Weight [kg]:**

143.00

**6. Gross Width [mm]:**

860

**7. Gross depth [mm]:**

820

**8. Gross Height [mm]:**

1080

**9. Gross Weight [kg]:**

157.00

**10. Device type:**

Gas unit

**11. Construction type of device:**

Stationary

**12. Power gas [kW]:**

15.200

**13. Ignition:**

Piezo + Eternal Flame

**14. Type of gas:**

Natural gas, propane butane

**15. Exterior color of the device:**

Stainless steel

**16. Material:**

AISI 304 top plate and cladding

**17. Worktop type:**

Molded - comfortable cleaning maintenance

**18. Worktop material:**

AISI 304

**19. Worktop Thickness [mm]:**

1.50

**20. Number of zones:**

1

**21. Power consumption of the zone 1 [kW]:**

9,2

**22. Service accessibility:**

Trough the frontal panel

**23. Safety thermocouple:**

Yes

**24. Adjustable feet:**

Yes

**25. Number of burners/hot plates:**

1

**26. Type of gas cooking zones:**

Thales

**27. Oven Type:**

gas static

**28. Oven power gas [kW]:**

6.00

# Technical data sheet

Technical parameters



## Cooking range gas solid top with gas oven

**Model**

**SAP Code**

00020642

**29. Oven size:**

GN 2/1

**33. Solid top thickness [mm]:**

30

**30. Type of internal part of the appliance 1 (eg oven):**

Gas

**34. Solid top dimensions [mm x mm]:**

800 x 580

**31. Type of internal part of the appliance 2 (eg oven):**

Static

**35. Solid top ignition:**

Piezo + Eternal Flame

**32. Gasket:**

Yes

**36. Connection to a ball valve:**

1/2